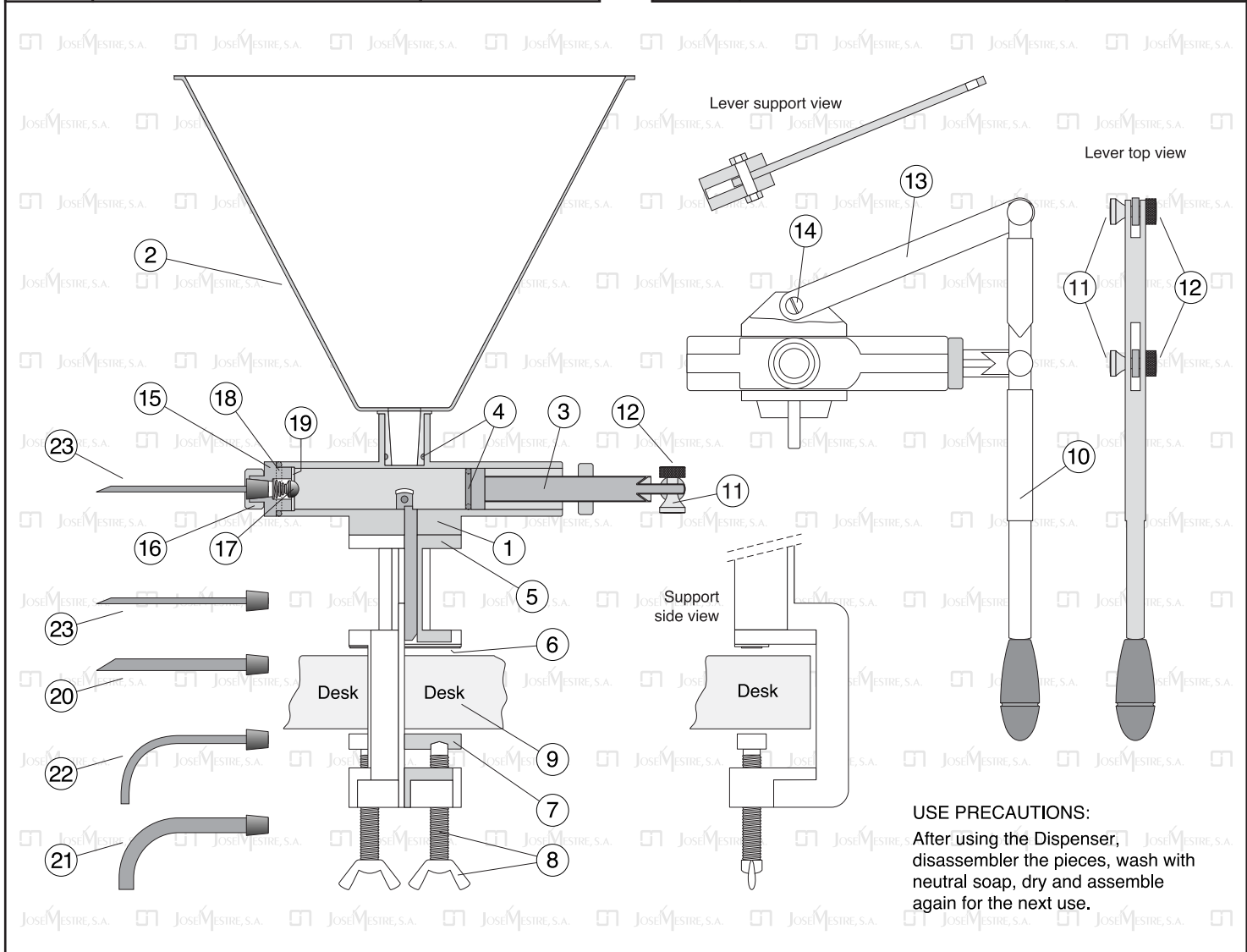


Manual Dispenser Creams and Gels

Nr.	Description	Code
---	MANUAL DISPENSER	0060000000
1	Body	1060000200
2	Hopper (5 litres capacity)	1060000400
3	Plunger	1060001700
4	Toric joint 20/27 x 3,5	1060002200
5	Support	1060000100
6	Secure rawplug	1060001500
7	Secure deck	1060001900
8	Wing nut and spindle	1060002100
9	Desk	-----
10	Lever	1060000300
11	Lever bolt	1060001400

Nr.	Description	Code
12	Lever nut	1060001300
13	Lever support	1060001800
14	Machine body joint bolt	1060000700
15	Nipple support racord	1060001100
16	Nipple tight racord	1060001000
17	Spring and ball	1060000900
18	Toric joint NBR 26/32 x 3	1060002400
19	Valve washer	1060000800
20	Big straight nipple 8 mm Ø	1060000600
21	Big curve nipple 10 mm Ø	1060002000
22	Small curve nipple 6 mm Ø	1060001200
23	Small straight nipple 4 mm Ø	1060000500



USE PRECAUTIONS:
 After using the Dispenser,
 disassembler the pieces,
 wash with neutral soap,
 dry and assemble
 again for the next use.